

F3340



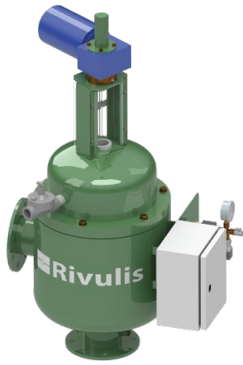
Rivulis F3340 Automatic Screen (Electric) Filter

- Electric cleaning mechanism drive enables efficient back-flush, even in low-pressure operations
- Ideal as primary filtration with access to 240 VAC power

Product Information

Product Details	
Body styles:	Angle (compact), Parallel
Screen options:	100, 130 micron (other options available)
Molded Screen, Sintered screen optional	
AC controlled	

Key Operating Guidelines	
Maximum working pressure	8.0 bar
Maximum pressure	10.0 bar
Minimum flushing pressure	2.0 bar



Rivulis F3340 **Angle Body**



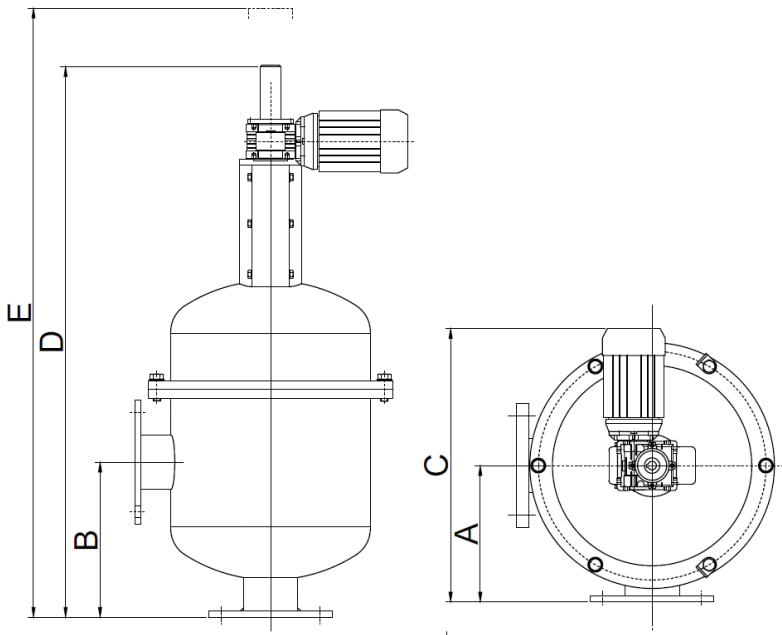
Rivulis F3340 **Parallel Body**

Rivulis F3340 Automatic Screen (Electric) Filter Angle | Product Specifications/Options

Inlet / Outlet		Body	Connections Control	Maximum Flow Rate	Flush Flow Rate Range	Screen Area	Screens	Current Options
inch	mm			m ³ /h	l/flushing	cm ²	micron	
2	50	Angle	BSP	80	12.5	1000	100, 130	AC 1 x 220V 50Hz, AC 1 x 110V 60Hz
3	80	Angle	ISO 16	175	12.5	1600	100, 130	AC 1 x 220V 50Hz, AC 1 x 110V 60Hz
4	100	Angle	ISO 16	250	15.5	2400	100, 130	AC 1 x 220V 50Hz, AC 1 x 110V 60Hz
6	150	Angle	ISO 16	450	53	4800	100, 130	AC 1 x 220V 50Hz, AC 1 x 110V 60Hz
3	80	Parallel	ISO 16	150	25	2650	100, 130	AC 1 x 220V 50Hz, AC 1 x 110V 60Hz
4	100	Parallel	ISO 16	250	49	5380	100, 130	AC 1 x 220V 50Hz, AC 1 x 110V 60Hz
6	150	Parallel	ISO 16	400	110	7990	100, 130	AC 1 x 220V 50Hz, AC 1 x 110V 60Hz
8	200	Parallel	ISO 16	500	178	10600	100, 130	AC 1 x 220V 50Hz, AC 1 x 110V 60Hz
10	250	Parallel	ISO 16	600	238	13210	100, 130	AC 1 x 220V 50Hz, AC 1 x 110V 60Hz

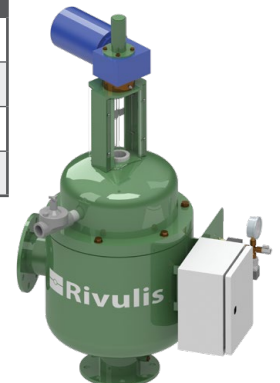
Product Dimensions and Weight | Angle

Size (Inlet/ Outlet)		A	B	C	D	E	Weight
inch	mm	mm	mm	mm	mm	mm	kg
2	50	220	250	480	980	1230	44
3	80	220	250	480	980	1230	45
4	100	260	320	590	1100	1340	60
6	150	260	470	590	1375	1645	86



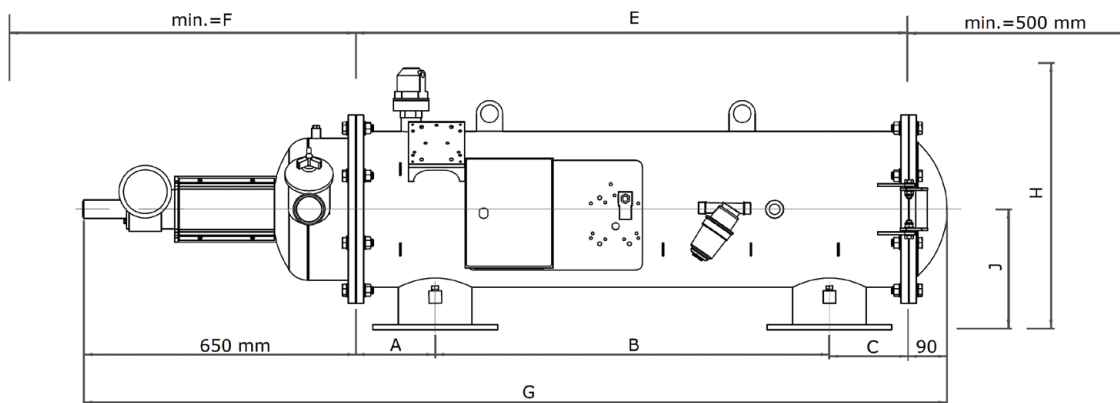
Head Loss Chart | Angle

Inlet / Outlet		Flow Rate (m ³ /h)									
		15	25	50	75	100	150	200	250	300	500
inch	mm	Head Loss (bar)									
2	50	0.01	0.03	0.16	0.4	0.8					
3	80			0.02	0.08	0.17	0.35	0.8			
4	100			0.01	0.025	0.05	0.11	0.28	0.45	0.8	
6	150					0.015	0.03	0.07	0.12	0.18	0.55



Product Dimensions and Weight | Parallel

Size (Inlet / Outlet)		A	B	C	D	E	E	E	E	E	E	Weight
inch	mm	mm	mm	mm	mm	mm	mm	mm	mm	mm	mm	kg
3	80	156	360	196	712	900	1452	654	275	598	105	44
4	100	111	770	106	987	900	1727	654	275	598	120	45
6	150	181	900	181	1262	970	2002	654	275	598	135	60
8	200	231	1100	206	1537	1240	2277	654	275	598	150	60
10	250	231	1370	211	1912	1520	2552	654	275	598	170	86



Head Loss Chart | Parallel

Inlet / Outlet		Flow Rate (m ³ /h)									
		15	25	50	75	100	150	200	250	300	500
inch	mm	Head Loss (bar)									
3	50		0.02	0.06	0.15	0.21	0.5	0.75			
4	80			0.03	0.05	0.1	0.2	0.35	0.5	0.6	0.8
6	100				0.03	0.06	0.1	0.17	0.25	0.35	0.7
8	150					0.03	0.06	0.1	0.15	0.2	0.5
10	200						0.02	0.05	0.07	0.1	0.3



Product List

F3340 Automatic Screen (Electric) Filter								
Product Description	Body Style	Inlet / Outlet Diameter		Connection Type	Screen	Screen Rating micron	Controller	Product Number
		inch	mm					
F3340 Angle 2 inch 100 micron	Angle	2	50	BSP	SST Screen, Molded (Plastic Ribs)	100	AC	101063211
F3340 Angle 2 inch 130 micron	Angle	2	50	BSP	SST Screen, Molded (Plastic Ribs)	130	AC	101063212
F3340 Angle 3 inch 100 micron	Angle	3	80	ISO 16	SST Screen, Molded (Plastic Ribs)	100	AC	101063213
F3340 Angle 3 inch 130 micron	Angle	3	80	ISO 16	SST Screen, Molded (Plastic Ribs)	130	AC	101063214
F3340 Angle 4 inch 100 micron	Angle	4	100	ISO 16	SST Screen, Molded (Plastic Ribs)	100	AC	101063215
F3340 Angle 4 inch 130 micron	Angle	4	100	ISO 16	SST Screen, Molded (Plastic Ribs)	130	AC	101063216
F3340 Angle 6 inch 100 micron	Angle	6	150	ISO 16	SST Screen, Molded (Plastic Ribs)	100	AC	101063218
F3340 Angle 6 inch 130 micron	Angle	6	150	ISO 16	SST Screen, Molded (Plastic Ribs)	130	AC	101063219
F3340 Parallel 3 inch 100 micron	Parallel	3	80	ISO 16	SST Screen, Molded (Plastic Ribs)	100	AC	101063235
F3340 Parallel 3 inch 130 micron	Parallel	3	80	ISO 16	SST Screen, Molded (Plastic Ribs)	130	AC	101063236
F3340 Parallel 4 inch 100 micron	Parallel	4	100	ISO 16	SST Screen, Molded (Plastic Ribs)	100	AC	101063237
F3340 Parallel 4 inch 130 micron	Parallel	4	100	ISO 16	SST Screen, Molded (Plastic Ribs)	130	AC	101063238
F3340 Parallel 6 inch 100 micron	Parallel	6	150	ISO 16	SST Screen, Molded (Plastic Ribs)	100	AC	101063239



F3340 Automatic Screen (Electric) Filter

Product Description	Body Style	Inlet / Outlet Diameter		Connection Type	Screen	Screen Rating micron	Controller	Product Number
		inch	mm					
F3340 Parallel 6 inch 130 micron	Parallel	6	150	ISO 16	SST Screen, Molded (Plastic Ribs)	130	AC	101063240
F3340 Parallel 8 inch 100 micron	Parallel	8	200	ISO 16	SST Screen, Molded (Plastic Ribs)	100	AC	101063241
F3340 Parallel 8 inch 130 micron	Parallel	8	200	ISO 16	SST Screen, Molded (Plastic Ribs)	130	AC	101063242
F3340 Parallel 10 inch 100 micron	Parallel	10	250	ISO 16	SST Screen, Molded (Plastic Ribs)	100	AC	101063243
F3340 Parallel 10 inch 130 micron	Parallel	10	250	ISO 16	SST Screen, Molded (Plastic Ribs)	130	AC	101063244



Case study outcomes are for information purposes only and actual results may vary. This literature has been compiled for worldwide circulation and the descriptions, photos, and information are for general purpose use only. Please consult with an irrigation specialist and technical specifications for proper use of Rivulis products. Because some products are not available in all regions, please contact your local dealer for details. Rivulis reserves the right to change specifications and the design of all products without notice. Every effort has been used to ensure that product information, including data sheets, schematics, manuals and brochures are correct. However information should be verified before making any decisions based on this information.