

A large-scale photograph of several green Rivulis F2000 media filter tanks installed outdoors. The tanks are connected by a network of green pipes and black valves. The scene is set against a clear blue sky with some light clouds. In the foreground, a large green tank is partially visible, showing its side panel and a circular access door.

F2000



Rivulis F2000 Media Filters

- The ultimate protection for your irrigation system
- Available as individual tanks and full arrays
- Media arrays are available complete with high quality manifolds, air-release and flushing valves, flow-limit valve to prevent media loss during backflush, advanced DC controller and a backup Rivulis F3100 filter for extra protection

Rivulis F2000 Product Information

Key Operating Guidelines
Pressure differential: Not to exceed 0.5 bar
Maximum working pressure: 8.0 bar
Also applicable to Array Media Filters



Rivulis F2000 | Product Specifications/Options

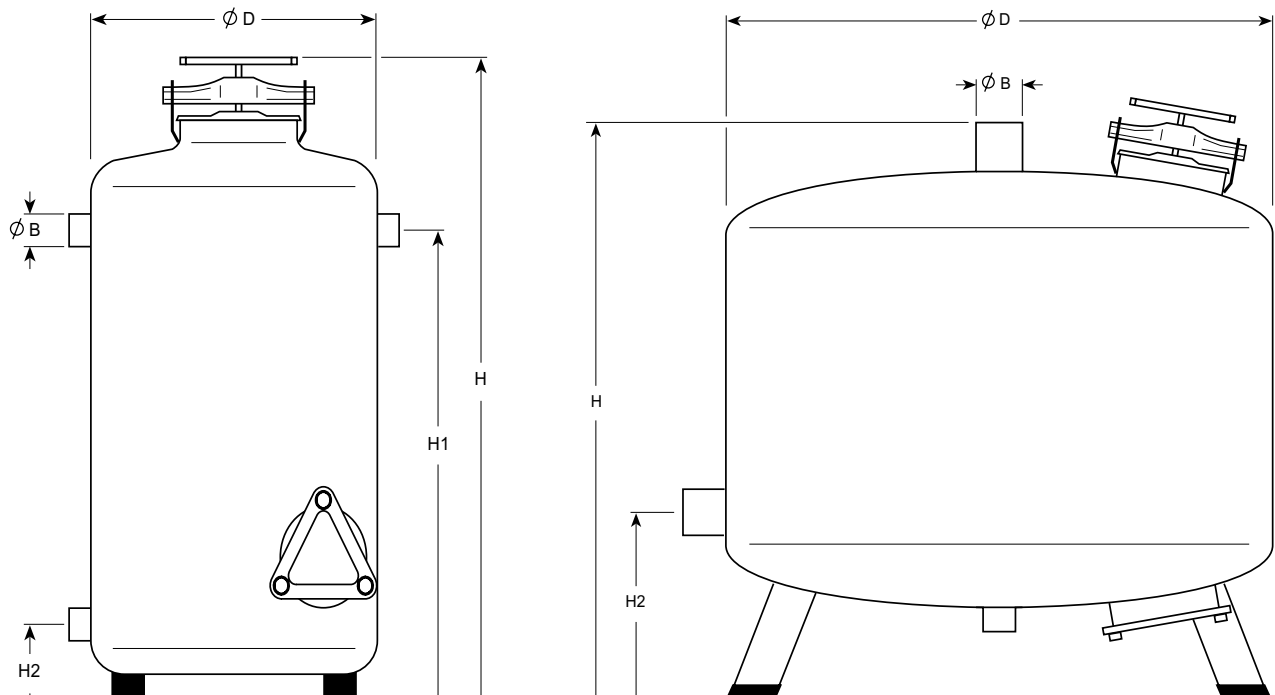
Body Diameter		Inlet / Outlet		Nominal Flow Rate	Maximum Flow Rate	Back Flush Flow Rate	Connection Type (other options available)
inch	mm	inch	mm				
16	400	2	50	6	11	10	BSP
20	500	2	50	9	18	15	BSP
20	500	3	80	10	18	15	ISO-16. VIC. BSTD
24	600	2	50	14	28	25	BSP. VIC
24	600	3	80	14	28	25	BSTD. VIC. ISO-16
30	750	3	80	21	42	38	BSTD. VIC. ISO-16
36	900	3	80	32	62	54	BSTD. VIC. ISO-16
48	1200	4	100	62	120	95	BSTD. VIC. ISO-16
60	1500	4	100	80	150	150	VIC

- Data calculated with Basalt No. 1. For quartz sand 16.20, use half flow rate
- For dirty water reduce flow rate

Rivulis F2000 | Media Required x Filter

Body Model		Inlet Model		Weight
inch	mm	inch	mm	
16	400	2	50	75
20	500	2	50	125
24	600	2	50	175
30	750	3	80	250
36	900	3	80	350
48	1200	4	100	625
60	1500	4	100	1000
48	1200	4	100	BSTD. VIC. ISO-16
60	1500	4	100	VIC

Product Dimensions and Weight



Rivulis F2000 | Media Filter Nozzles/Arms Collectors

Body Model		Inlet Model		B	D	H	H1	H2	Weight
inch	mm	inch	mm	mm	mm	mm	mm	mm	kg
16	400	2	40	40	400	1250	870	180	50
20	500	2	50	50	500	1250	870	180	70
20	500	3	80	80	500	1400	1040	180	75
24	600	2	50	50	600	1350	950	260	90
24	600	3	80	80	600	1350	950	260	90
30	750	3	80	80	750	1170	-	360	135
36	900	3	80	80	900	1170	-	360	185
48	1200	4	100	100	1200	1190	-	360	310
60	1500	4	100	100	1500	1470	-	510	430

Head Loss Charts

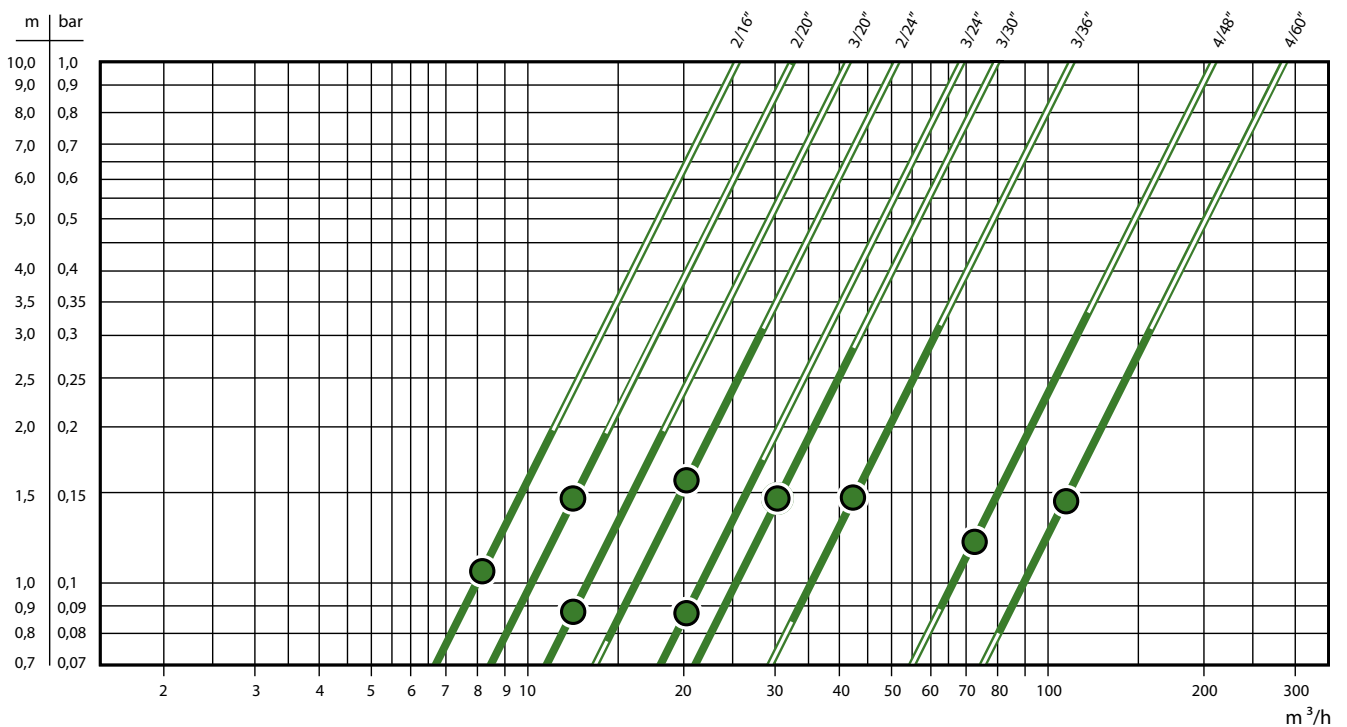
Rivulis F2000 | Head Loss (bar): 16" to 24"

Model	Flow Rate (m ³ /h)												
(Inlet/Body)	5	10	15	20	25	30	35	40	45	50	55	60	70
inch	Head Loss (bar)												
2/16	0.04	0.16	0.36	0.64	1	1.44							
2/20		0.1	0.22	0.39	0.61	0.88	1.2						
3/20		0.06	0.13	0.24	0.37	0.54	0.73	0.95	1.2	1.49			
2/24		0.04	0.09	0.15	0.24	0.35	0.47	0.62	0.78	0.96	1.16		
3/24				0.09	0.14	0.19	0.26	0.35	0.44	0.54	0.65	0.78	1.06

Rivulis F2000 | Head Loss (bar): 30" to 60"

Model	Flow Rate (m ³ /h)														
(Inlet/Body)	20	30	40	50	60	70	80	90	100	110	130	150	180	200	220
inch	Head Loss (bar)														
3/30	0.06	0.14	0.26	0.4	0.58	0.79	1.03								
3/36		0.07	0.13	0.2	0.28	0.38	0.5	0.63	0.78	0.95					
4/48				0.06	0.08	0.11	0.15	0.19	0.23	0.28	0.39	0.53	0.76	0.93	1.13
4/60					0.05	0.06	0.08	0.1	0.13	0.15	0.21	0.28	0.41	0.5	0.61

Rivulis F2000 | All Models



Product List



Rivulis F2000 Arrays										
Product Description	Tank size (inch)	Tank Qty	Manifold Inlet / Outlet (inch)	Conn. Type	Contr.	Nominal Flow / Tank (m ³ /h)	Recom. Flow / Tank (m ³ /h)	Max total Flow / Array (m ³ /h)	Back wash Flow (m ³ /h)	Product Number
Standard										
F2000 2x24" + F3100 1x3" + Controller	24"	2	3"	ISO 16	DC	28	20	40	25	WT11575
F2000 3x24" + F3100 1x4" + Controller	24"	3	4"	ISO 16	DC	28	20	60	25	101044813
F2000 3x36" + F3100 1x6" + Controller	36"	3	6"	ISO 16	DC	62	43	129	54	101044817
F2000 5x36" + F3100 1x6" + Controller	36"	5	6"	ISO 16	DC	62	43	215	54	101044819
F2000 Media Filter Modular Array Unit- 1x48" - VIC	48"	1	4"	VIC	-	120	65	65	95	WT12855
F2000 Media Filter Modular Array Unit- 2x48" - VIC	48"	2	4"	VIC	-	120	65	130	95	WT12856
With Mobile Platform										
F2000 1x16" + F3100 1x2" + Controller Mobile	16"	1	2"	BSP	DC	11	8	8	10	WT12601
F2000 1x20" + F3100 1x2" + Controller Mobile	20"	1	2"	BSP	DC	18	13	12	15	WT12602
F2000 2x20" + F3100 1x3" + Controller Mobile	20"	2	3"	ISO 16	DC	18	12	24	15	WT12587
F2000 3x20" + F3100 1x3" + Controller Mobile	20"	3	3"	ISO 16	DC	18	12	36	15	WT12588
F2000 1x24" + F3100 1x2" + Controller Mobile	24"	1	2"	BSP	DC	28	20	20	25	WT12600
F2000 2x24" + F3100 1x3" + Controller Mobile	24"	2	3"	ISO 16	DC	28	20	40	25	WT12589
F2000 3x24" + F3100 1x3" + Controller Mobile	24"	3	3"	ISO 16	DC	28	20	60	25	WT12590
F2000 4x24" + F3100 1x4" + Controller Mobile	24"	4	4"	ISO 16	DC	28	20	80	25	WT13176

Product List



Rivulis F2000 Individual Tanks					
Product Description	Inlet / Outlet Size		Tank Size	Connection Type	Product Number
	(inch)	(mm)	(inch)		
F2000 16 inch tank 2 inch BSP	2	50	16	BSP	101043070
F2000 20 inch tank 2 inch BSP	2	50	20	BSP	101043073
F2000 24 inch tank 2 inch BSP	2	50	24	BSP	101043080
F2000 24 inch tank 3 inch ISO-16	3	80	24	ISO-16	101043085
F2000 24 inch tank 3 inch BSP	3	80	24	BSP	101045563
F2000 20 inch tank 3 inch ISO-16	3	80	20	ISO-16	101043078
F2000 30 inch tank 3 inch ISO-16	3	80	30	ISO-16	101046358
F2000 30 inch tank 3 inch VIC	3	80	30	VIC	101046359
F2000 30 inch tank 3 inch ISO-16	3	80	30	ISO-16	101043089
F2000 30 inch tank 3 inch VIC	3	80	30	VIC	101043090
F2000 36 inch tank 3 inch ISO-16	3	80	36	ISO-16	101046363
F2000 36 inch tank 3 inch VIC	3	80	36	VIC	101046364
F2000 36 inch tank 3 inch VIC	3	80	36	VIC	101043094
F2000 48 inch tank 4 inch ISO-16	4	100	48	ISO-16	101043097
F2000 48 inch tank 4 inch ISO-16- A	4	100	A 48	ISO-16	101046368
F2000 48 inch tank 4 inch VIC - Modular	4	100	48	VIC	WT15237
F2000 48 inch tank 4 inch VIC - A	4	100	A 48	VIC	101046369

Case study outcomes are for information purposes only and actual results may vary. This literature has been compiled for worldwide circulation and the descriptions, photos, and information are for general purpose use only. Please consult with an irrigation specialist and technical specifications for proper use of Rivulis products. Because some products are not available in all regions, please contact your local dealer for details. Rivulis reserves the right to change specifications and the design of all products without notice. Every effort has been used to ensure that product information, including data sheets, schematics, manuals and brochures are correct. However information should be verified before making any decisions based on this information.