

F1400



Rivulis F1400 Hydrocyclone Sand Separator Filter with Epoxy Coating

- Helps prevent sand from entering your irrigation system and causing damage
- Rivulis F1400 is a pre-filtration process to remove sand prior to primary filtration
- Epoxy coated to minimize corrosion damage
- Ideal for well water

Product Information

Key Operating Guidelines	
Recommended head loss	0.2 – 0.7 bar
Maximum operating pressure	10.0 bar



Rivulis F1400 Hydrocyclone Sand Separator | Product Specifications/Options

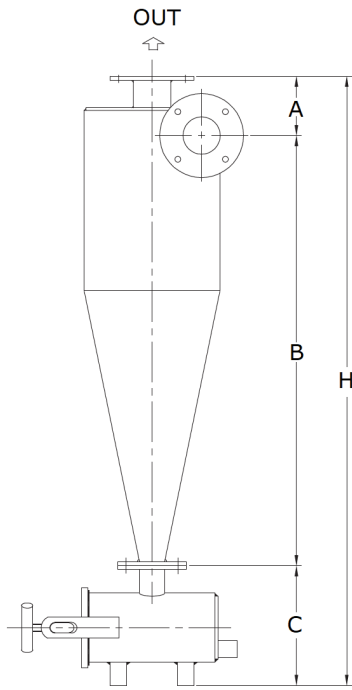
Inlet / Outlet		Body	Recommended Minimum Flow Rate	Recommended Maximum Flow Rate	Tank Capacity	Connection Type
inch	mm		m ³ /h	m ³ /h	l	
1 1/2	40	Custom	7.5	12.5	10	BSP
2	50	Standard	11	25	10	BSP
3	80	Standard	18	55	10	ISO 16
4	100	Custom	50	93	120	ISO 16
6	150	Custom	96	180	220	ISO 16
8	200	Custom	138	259	320	ISO 16

Head Loss Chart

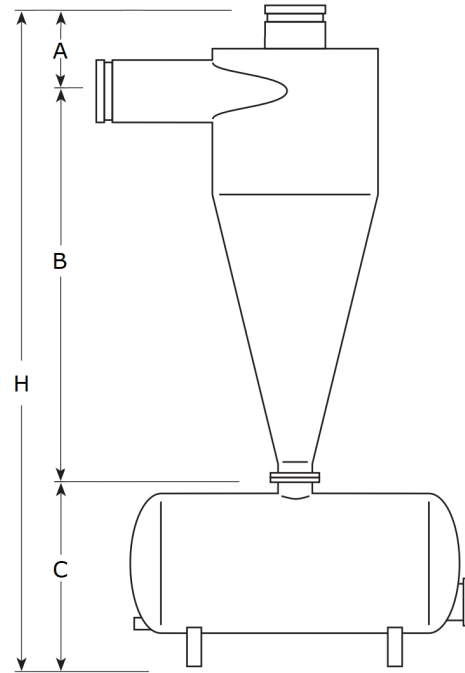
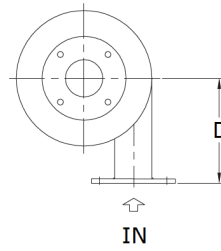
It is very important that the flow through the filter does not fall below 0.2 and does not exceed 0.7.

Inlet / Outlet		Head Loss (bar)					
		0.2	0.3	0.4	0.5	0.6	0.7
inch	mm	Flow Rate (m ³ /hr)					
1 1/2	40	7.5	9.3	11.0	12.0	13.0	14.0
2	50	14.2	17.0	19.5	22.0	24.0	26.0
3	80	30.0	37.0	41.5	46.0	50.0	53.0
4	100	50.0	61.5	71.0	80.0	87.0	94.0
6	150	96.0	118.0	136.0	152.0	166.5	180.0
8	200	217.0	265.5	306.5	342.0	375.5	405.5

Product Dimensions and Weight



Models : 1 1/2", 2", 3"



Models : 4", 6", 8"

Inlet/ Outlet - B		A	B	C	D	H	Weight
inch	mm	mm	mm	mm	mm	mm	kg
1 1/2	40	141	284	205	240	630	19
2	50	141	700	285	250	1126	33
3	80	141	1025	285	250	1451	35
4	100	240	730	750	600	1720	125
6	150	290	860	750	600	1900	175
8	200	295	1460	900	700	2825	365

* Height for underflow chambers without legs

Product List

Rivulis F1400 Hydrocyclone Sand Separator					
Product Description	Inlet/Outlet Size		Connection Type	Underflow Chamber Volume (l)	Product Number
	(inch)	(mm)			
F1400 1.5 inch	1 1/2	40	BSP	10	101060888
F1400 2 inch	2	50	BSP	10	101050596
F1400 3 inch	3	80	ISO 16	10	101050597
F1400 4 inch	4	100	ISO 16	120	101060890
F1400 6 inch	6	150	ISO 16	220	101060893
F1400 8 inch	8	200	ISO 16	320	101060843



Case study outcomes are for information purposes only and actual results may vary. This literature has been compiled for worldwide circulation and the descriptions, photos, and information are for general purpose use only. Please consult with an irrigation specialist and technical specifications for proper use of Rivulis products. Because some products are not available in all regions, please contact your local dealer for details. Rivulis reserves the right to change specifications and the design of all products without notice. Every effort has been used to ensure that product information, including data sheets, schematics, manuals and brochures are correct. However information should be verified before making any decisions based on this information.