

F3200 Metal Screen Filter with Hydraulic Operation (Automatic)

Operating guidelines

Maximum working pressure: 120 psi

Minimum operating pressure: 30 psi

Maximum pressure: 150 psi

Ordering information

Screen options: 200, 150, 120, 80 mesh

Body style: Angled, parallel, parallel long



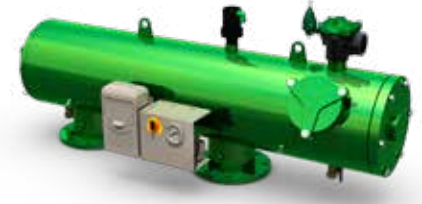
F3200 Metal Screen Filters with Hydraulic Operation are the ideal choice for applications without AC electricity. The F3200 Filter utilizes continuous movement of the collector assembly to remove particles from the screen. The filter has a compact body design that requires a small footprint. The flushing mechanism has several advantages including no requirement for AC power because of its hydraulic motor that powers the flushing cycle. The flushing process is done by highly efficient suction nozzles. The entire screen is exposed to the flushing process because of the continuous linear movement of the collector assembly. The F3200 Metal Screen Filter with Hydraulic operation, is used as a primary filter for water containing large quantities of dirt; up to 50 ppm and from water sources such as rivers, lakes, wells, and recycled water. These filters are self-cleaning and continue to operate during the flushing cycle.



F3200 Metal Screen Filter with Hydraulic Operation (Automatic)

Product head loss chart (psi) - 4" - 6" parallel

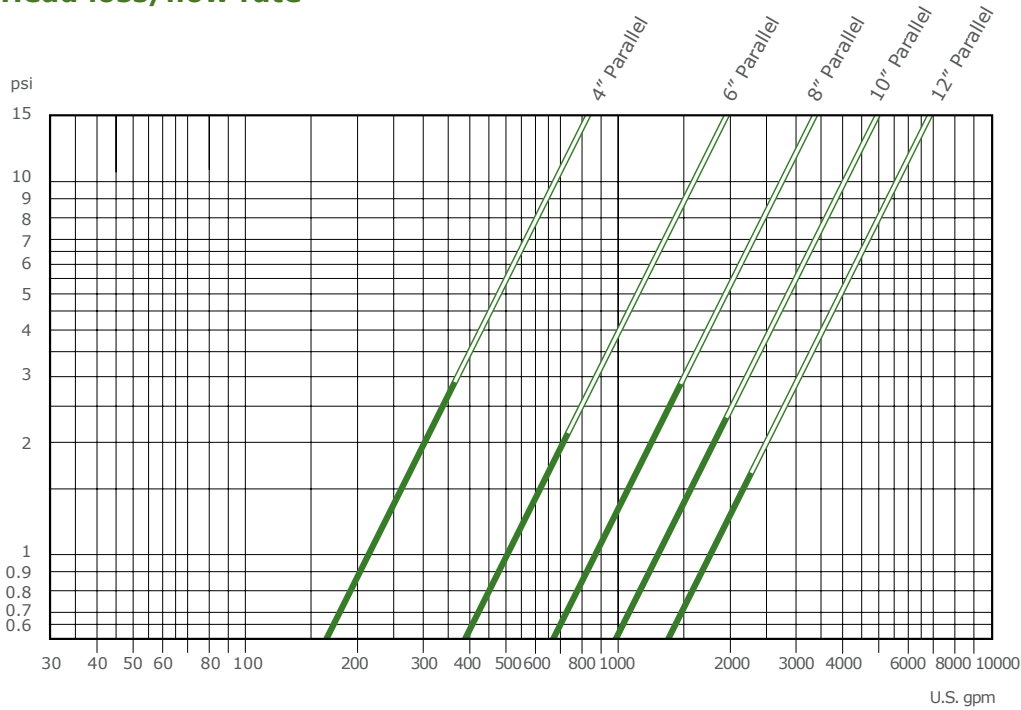
Size (inch)	Flow rate (gpm)									
	200	300	450	600	700	900	1100	1300	1500	1800
4	0.8	1.9	4.3	7.6	10.4	17.1				
6			0.8	1.5	2.0	3.4	5.0	7.0	9.3	13.4



Product head loss chart (psi) - 8" - 12" parallel

Size (inch)	Flow rate (gpm)											
	900	1300	1500	1800	2000	2600	3000	3500	4000	4500	5000	6500
8	1.1	2.4	3.2	4.5	5.6	9.5	12.6	17.2				
10	0.5	1.0	1.4	2.0	2.5	4.2	5.6	7.6	9.9	12.5	15.5	
12		0.5	0.7	1.0	1.3	2.1	2.8	3.9	5.0	6.4	7.9	13.3

Head loss/flow rate



** For a clean filter and 120 mesh screen

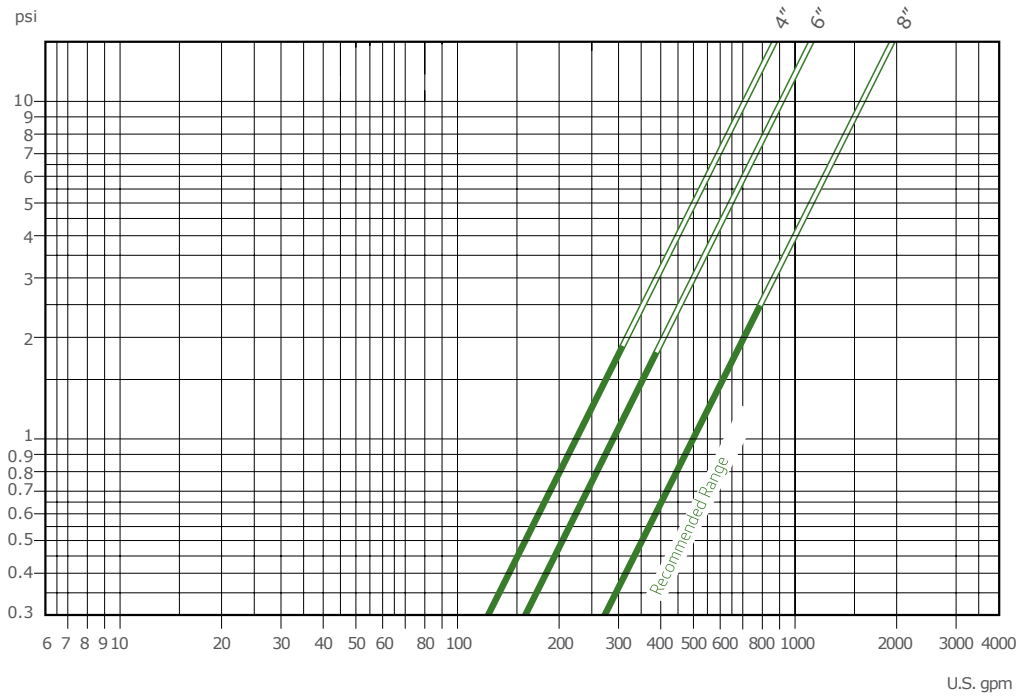
F3200 Metal Screen Filter with Hydraulic Operation (Automatic)

Product head loss chart (psi) - 4" - 8" angled

Size (inch)	Flow rate (gpm)							
	200	250	300	350	400	500	750	1000
4	0.8	1.2	1.8	2.4	3.1	4.9	11.0	
6	0.6	0.9	1.3	1.7	2.3	3.6	8.0	
8				0.5	0.7	1.0	2.4	4.2



Head loss/flow rate**



** For a clean filter and 120 mesh screen

F3200 Metal Screen Filter with Hydraulic Operation (Automatic)

Product summary

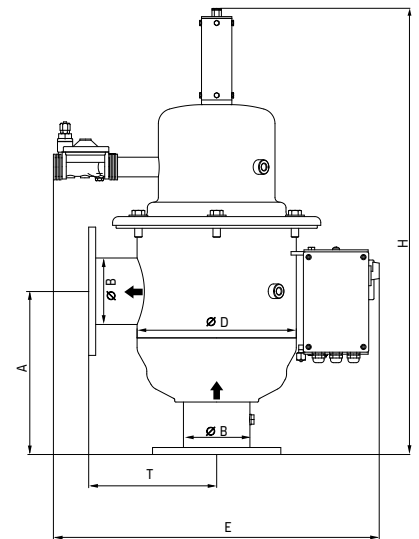
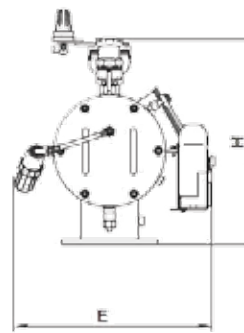
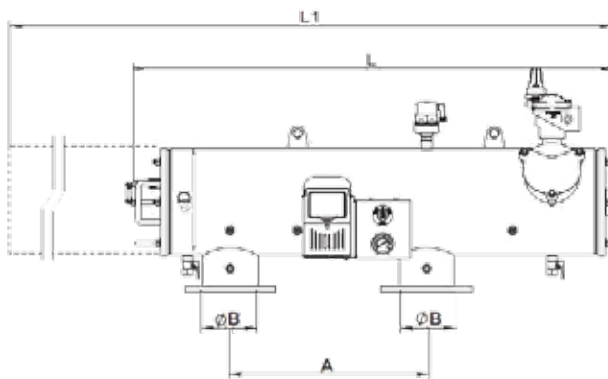
Size (connection) (Inch)	Body	Connections	Max. flow rate (gpm)	Screens (mesh)	Power
4	Angled, parallel	ASA (Flange)	350	200, 150,120, 80	DC
6	Angled, parallel	ASA (Flange)	660	200, 150,120, 80	DC
8	Angled, parallel	ASA (Flange)	1300	200, 150,120, 80	DC
10	Parallel	ASA (Flange)	1750	200, 150,120, 80	DC
12	Parallel	ASA (Flange)	2050	200, 150,120, 80	DC

Product dimensions and weight - parallel

Size (inch)	D (inch)	A (inch)	E (inch)	H (inch)	L (inch)	L1 (inch)	Weight (lbs)
3	12.0	16.9	27.0	25.0	61.0	100.0	357.0
4	12.0	23.6	27.0	25.0	68.0	112.0	430.0
6	12.0	23.6	27.0	25.0	68.0	112.0	440.0
8	12.0	30.7	29.0	32.0	78.0	132.0	650.0
10	16.0	30.7	29.0	32.0	78.0	132.0	728.0
12	16.0	39.0	29.0	32.0	90.0	153.0	738.0

Product dimensions and weight - angled

Size (inch)	D (inch)	A (inch)	E (inch)	H (inch)	L (inch)	L1 (inch)	Weight (lbs)
4	4.0	10.0	11.0	21.0	36.0	8.7	106.0
6	6.0	12.0	21.2	24.0	52.0	12.6	143.0
8	8.0	12.0	27.6	24.0	60.0	12.6	172.0



Rivulis.com

This literature has been compiled for worldwide circulation and the descriptions, photos, and information are for general purpose use only. Please consult with an irrigation specialist and technical specifications for proper use of products. Because some products are not available in all regions, please contact your local dealer for details. Rivulis reserves the right to change specifications and the design of all products without notice.

RIV_DS_F3200_R4_EN_W17_0362