

Rivulis F1000 Hydrocyclone Sand Separator



Key Operating Guidelines

Recommended head loss : 0,2-0,5 bar

Working pressure: 8,0 bar

Maximum pressure: 10,0 bar

Product Information

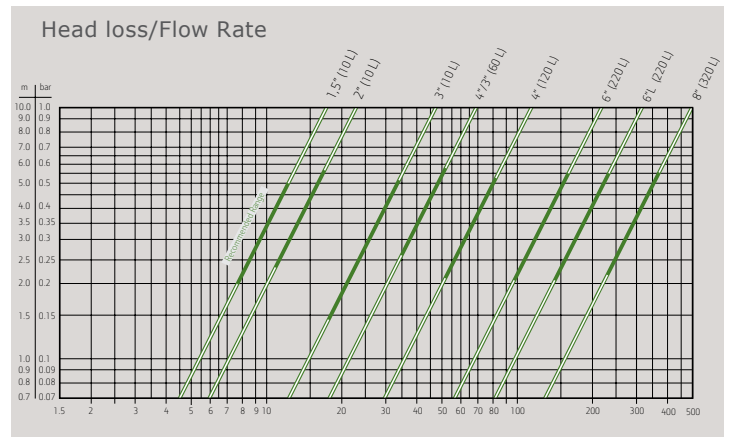
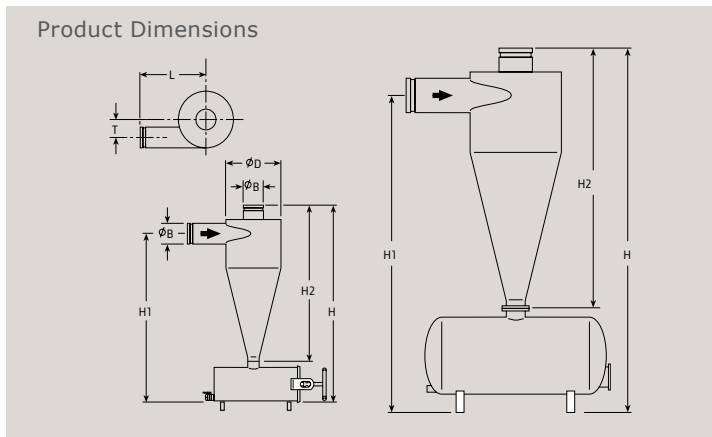
All models include underflow tank collector

All models include legs

All models include rubber, protective cone

The Rivulis F1000 Hydrocyclone Sand Separator creates a centrifugal action that moves the water around the edge of the body, throwing the sand and heavy materials to the outside of the cyclone. The heavy materials then fall into the underflow tank to be collected. Rivulis provides the proper sized underflow tank to match the performance of each size of hydrocyclone sand separator, preventing the collected sand from moving back into the water flow. The Rivulis F1000 Hydrocyclone Sand Separators are available with several options including flow rates and tank collector sizes.

Rivulis F1000 Hydrocyclone Sand Separator



Product Dimensions and Weights

Inlet/ Outlet - B	D	H	H1	H2	L	T	Weight
(Inch)	(mm)	(mm)	(mm)	(mm)	(mm)	(mm)	(Kg)
1,5	40	150	630	490	240	61	19
2	50	200	735	575	295	80	20
3	80	200	830	660	300	65	27
4/3	100/80	300	1330	1130	500	105	66
4	100	400	1720	970	600	145	125
6	150	510	1900	1150	600	170	172
8	150	610	2155	1405	600	220	205
10	200	760	2825	1925	700	265	365

Product Head Loss Chart (bar)

Inlet/Outlet		Flow Rate (m³/hr)					
		0,2	0,3	0,4	0,5	0,6	0,7
(inch)	(mm)	Head Loss (Bar)					
1,5	40	7,6	9,3	10,8	12,0	13,2	14,2
2	50	10,1	12,4	14,3	16,0	17,5	18,9
3	80	21,1	25,9	29,9	33,4	36,6	39,5
4/3	100/80	30,4	37,2	43,0	48,1	52,7	56,9
4	100	50,1	61,3	70,8	79,2	86,8	93,7
6	150	96,2	117,8	136,0	152,0	166,5	179,9
8	150 Long	138,6	169,8	196,1	219,2	240,1	259,4
10	200	216,8	265,6	306,7	342,9	375,7	405,8

F1000 Hydrocyclone Sand Separator - Product Information

Item Number	Inlet/ Outlet (inch)	Inlet/Outlet (mm)	Body	Minimum Flow Rate (m³/h)	Maximum Flow Rate (m³/h)	Feature	Tank Capacity (L)	Connection Type
101044524	1,5	40	Standard	7,5	12	Tank Collector	10	BSP
101044526	1,5	40	Standard	7,5	12	Tank Collector	10	VIC
101043043	2	50	Standard	11	17	Tank Collector	10	BSP
101043045	2	50	Standard	11	17	Tank Collector	10	VIC
101043047	3	80	Standard	18	34	Tank Collector	10	BSTD
101043048	3	80	Standard	18	34	Tank Collector	10	ISO16
101043049	3	80	Standard	18	34	Tank Collector	10	VIC
101043055	4/3	100/80 Out	Standard	35	52	Tank Collector	60	BSTD
101043056	4/3	100/80 Out	Standard	35	52	Tank Collector	60	ISO16
101043057	4/3	100/80 Out	Standard	35	52	Tank Collector	60	VIC
101043051	4	100	Standard	52	82	Tank Collector	120	BSTD
101043052	4	100	Standard	52	82	Tank Collector	120	ISO16
101043053	4	100	Standard	52	82	Tank Collector	120	VIC
101043059	6	150	Standard	98	160	Tank Collector	220	BSTD
101043060	6	150	Standard	98	160	Tank Collector	220	ISO16
101043061	6	150	Standard	98	160	Tank Collector	220	VIC
101043063	6	150	Long	140	230	Tank Collector	220	BSTD
101043064	6	150	Long	140	230	Tank Collector	220	ISO16
101043065	6	150	Long	140	230	Tank Collector	220	VIC
101043067	8	200	Standard	230	360	Tank Collector	320	BSTD
101043068	8	200	Standard	230	360	Tank Collector	320	ISO16
101043069	8	200	Standard	230	360	Tank Collector	320	VIC